



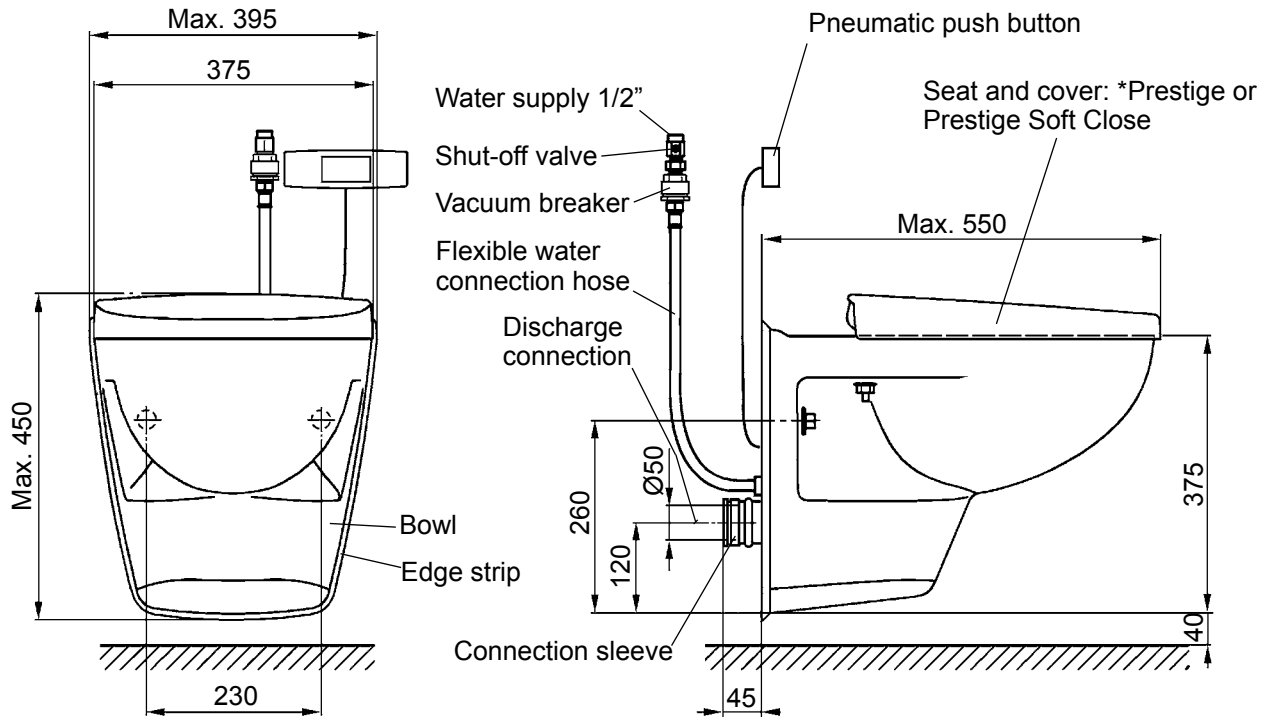
EVAC VACUUM TOILETS

- EVAC OPTIMA 5
- EVAC 912
- EVAC 910

VACUUM TOILET

6559513 EVAC OPTIMA 5, WALL MODEL, PRESTIGE

6559517 EVAC OPTIMA 5, WALL MODEL, PRESTIGE SOFT CLOSE



* Prestige seat and cover fulfill ANSI Z124.5 - 1997 [Plastic Toilet (Water closet) Seats] requirements.

Materials

Bowl: White vitreous china
Seat and cover; *Prestige and Prestige Soft Close: UF-S
Pneumatic push button: White plastic, ABS
Discharge valve; plastic parts: PP, rubber parts: NR

Operating data

Water pressure: 3...10 bar
Operating vacuum: -0.3...- 0.6 bar
Water consumption: ~1.2 ±0.15 litres/flush (water pressure: 4 bar, vacuum: -0.4 bar)
Air consumption: ~ 60 ±10 litres/flush (normal atmospheric air)

Connections

Water supply: 1/2" MPT, flexible hose
Discharge: Discharge connection Ø50, connection sleeve includes two hose clamps to O.D. 48 - 52 mm pipes

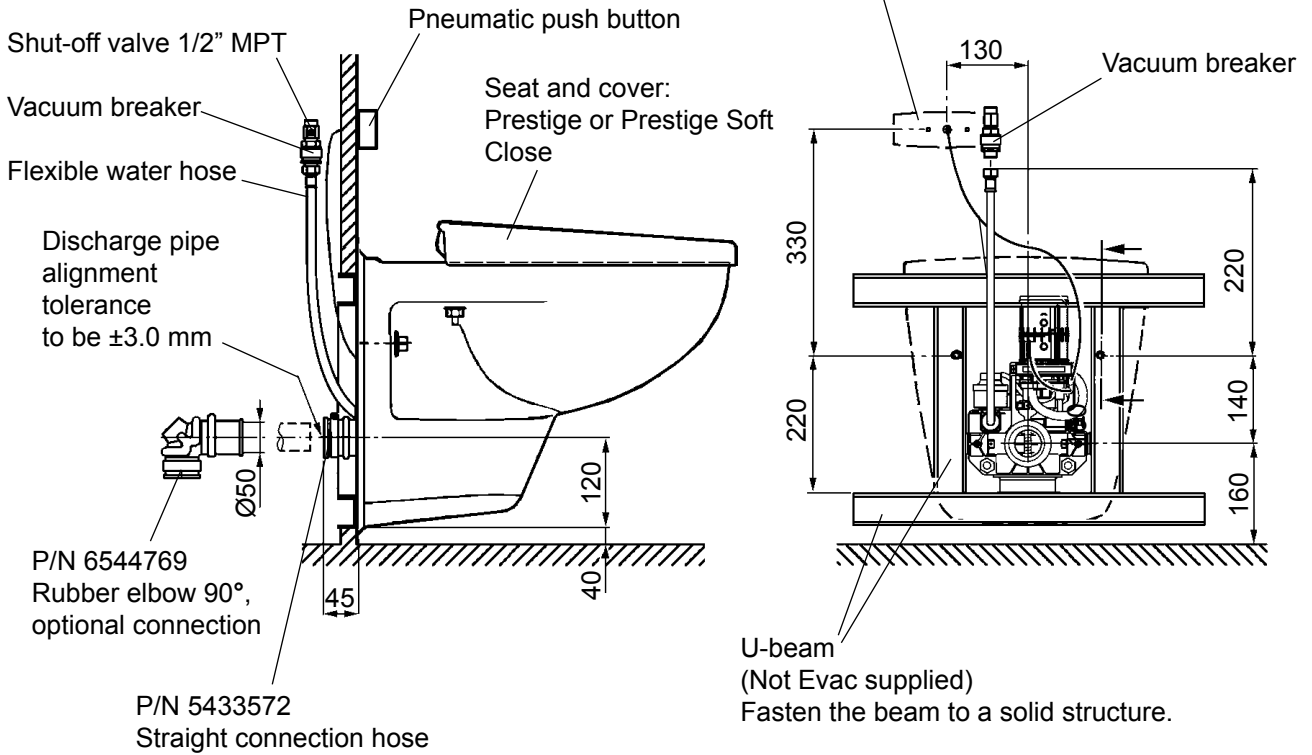
Shipping data

P/N 6559513 Optima 5, wall model, Prestige
P/N 6559517 Optima 5, wall model, Prestige Soft Close
Net weight: 21.1 ±0.5 kg
Shipping weight: 24.6 ±0.5 kg
Shipping volume: 0.168 m³

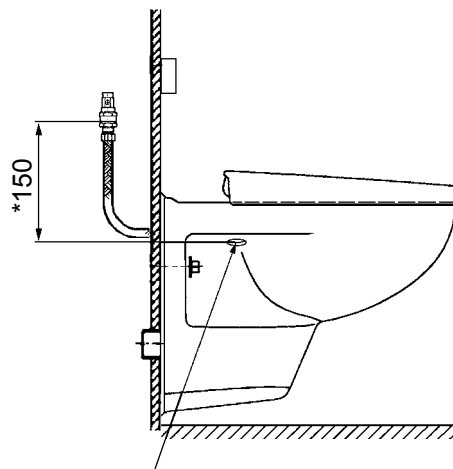
VACUUM TOILET

6559513 EVAC OPTIMA 5, WALL MODEL, PRESTIGE
6559517 EVAC OPTIMA 5, WALL MODEL, PRESTIGE SOFT CLOSE

! NOTE: Recommended place for the button.
If placement is changed, consult EVAC.



Overflow point



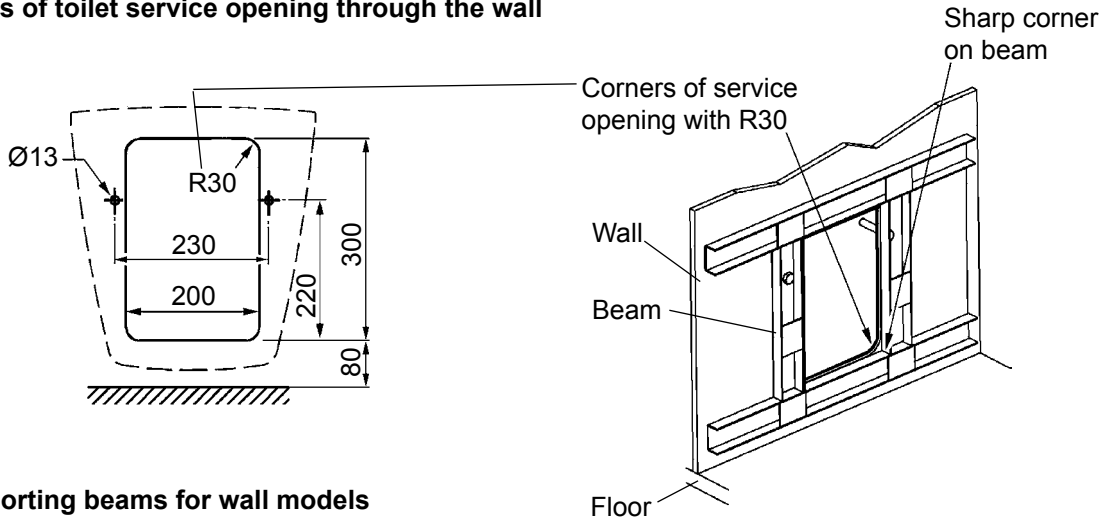
! NOTE: Overflow point is inside the toilet bowl

* The vacuum breaker air inlet must be located at a minimum of 150 mm (6") above the overflow point of the toilet.

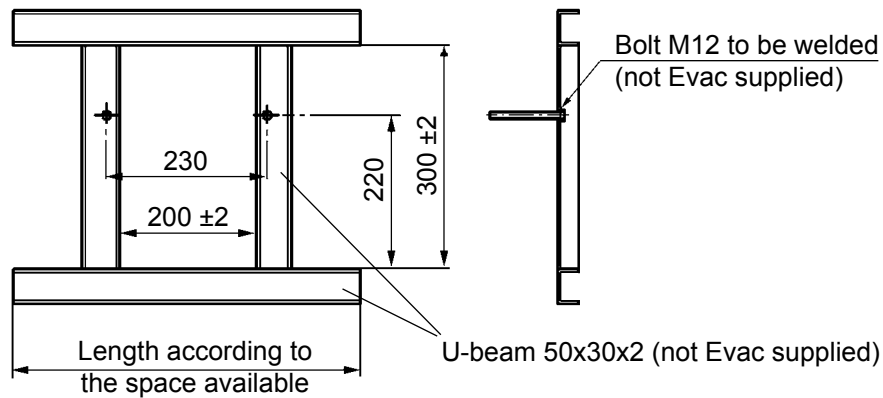
VACUUM TOILET

6559513 EVAC OPTIMA 5, WALL MODEL, PRESTIGE
 6559517 EVAC OPTIMA 5, WALL MODEL, PRESTIGE SOFT CLOSE

Dimensions of toilet service opening through the wall

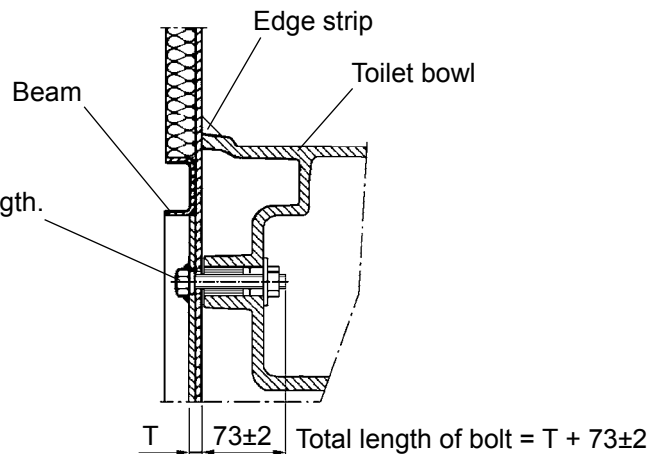


Toilet supporting beams for wall models



Cross section A - A

Bolt M12 (not Evac supplied) to be welded.
! NOTE: Thread on the bolt must be full length.

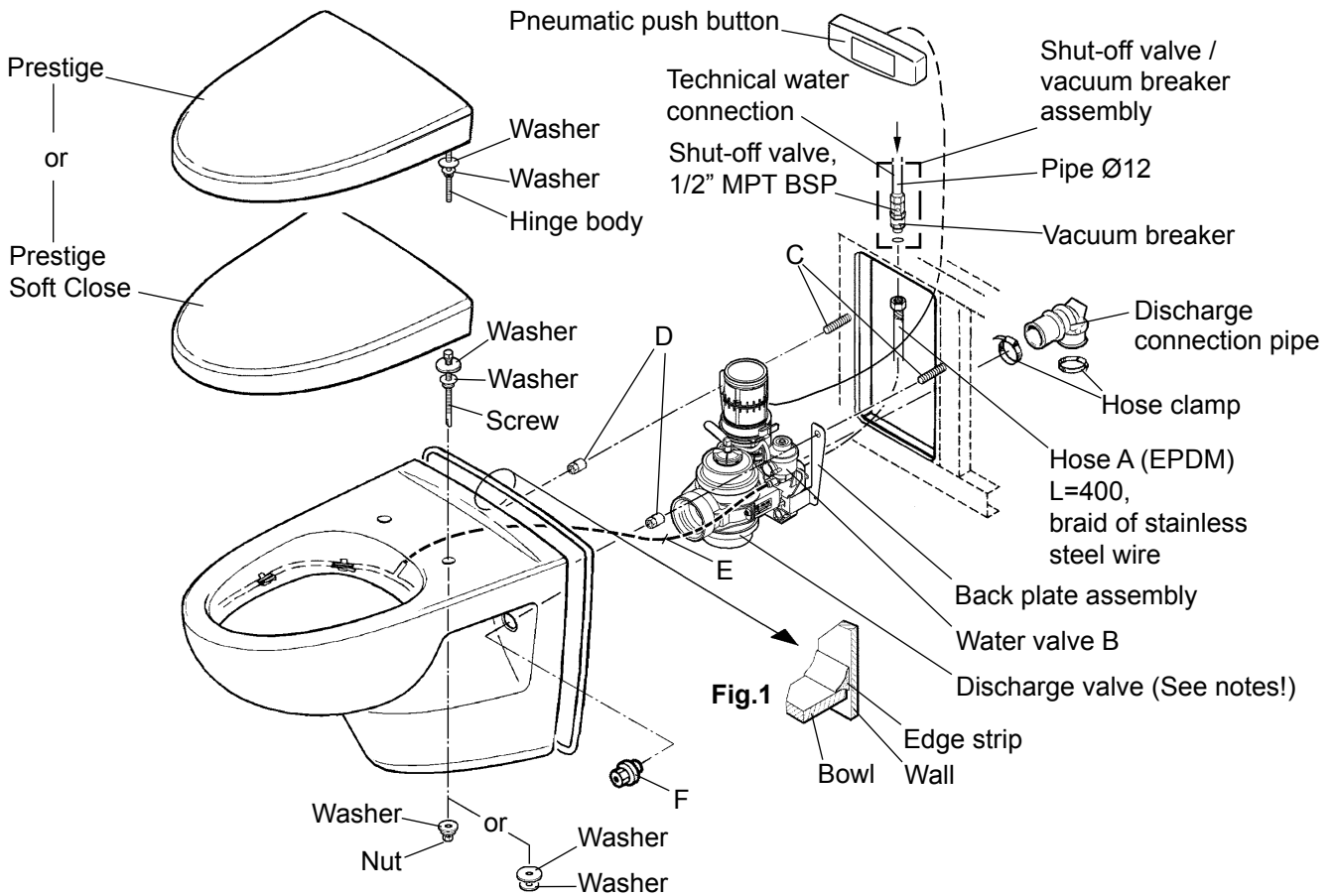


Installation kit P/N 6560986 consists of:

Plastic nut M12	2 pcs
Guiding nut	2 pcs
Edge strip	1 pc
Connection sleeve	1 pc
Hose clamp	2 pcs

VACUUM TOILET

6559513 EVAC OPTIMA 5, WALL MODEL, PRESTIGE
6559517 EVAC OPTIMA 5, WALL MODEL, PRESTIGE SOFT CLOSE



- Connect the water connection hose (A) to the water valve (B).
- Install the back plate assembly to the wall using the bowl fastening bolts (C) (M12, not included) and the guiding nuts (D) (M12). The guiding nuts are necessary.
- Connect the hose (E) from the flushing ring to the water valve (B). **Do not use any kind of grease during installation!** Secure with the hose clamps. Tighten the hose clamps with pliers.

! NOTE: Install the hose (E) from the flushing ring in the toilet bowl to the right side of the discharge valve.

- Lift bowl onto the fastening bolts (C) and tighten the securing nuts (F). Tightening torque is 15-20 Nm.

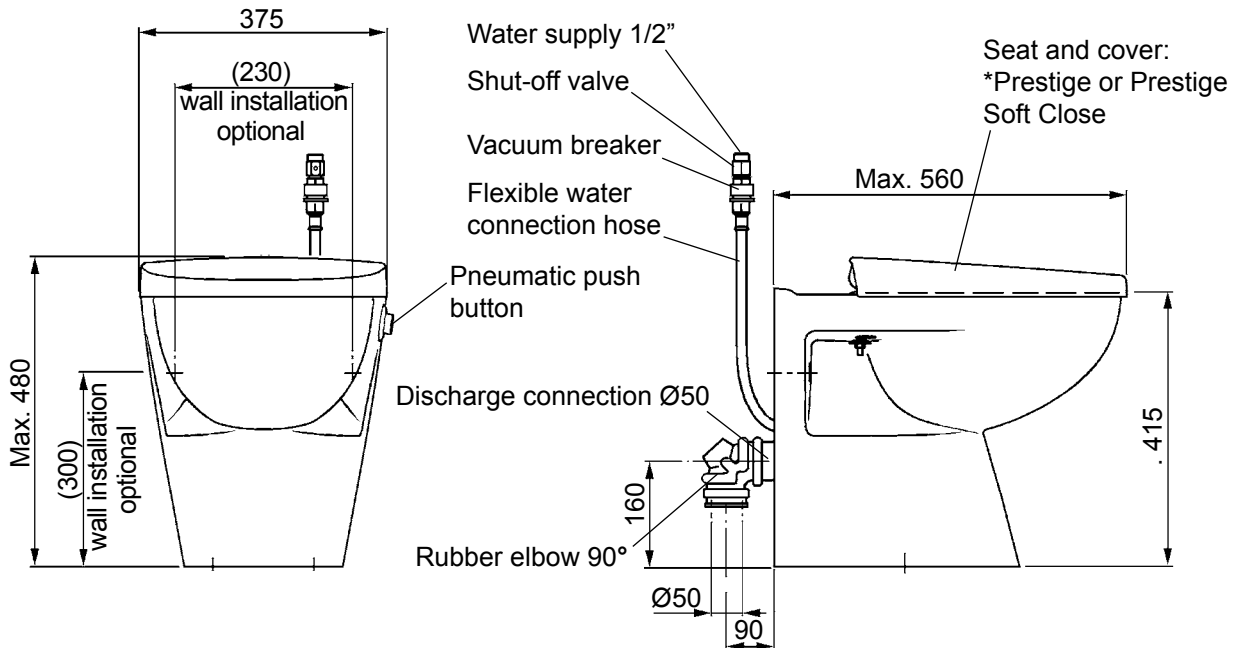
! NOTE: Check through the toilet service opening in the wall that the hoses run smoothly. The hoses shall not have any kinks.

- Fit the edge strip as shown in figure 1. Place the joint of the strip to the bottom side of the bowl.
- Install the seat and the cover. See the installation of the Prestige Soft Close (doc. 002503-2).
- Connect the discharge connection pipe. Secure with the hose clamps.
- Connect the shut-off valve/vacuum breaker assembly to the water supply. The shut-off valve must be installed to the water supply piping's side to ensure the correct flow direction in the vacuum breaker. Note the vacuum breaker must be installed vertically as shown.
- Connect the water connection hose (A) to the shut-off valve/vacuum breaker assembly.
- Install the pneumatic push button (doc. 003607-1).

VACUUM TOILET

6559515 EVAC OPTIMA 5, FLOOR MODEL, PRESTIGE

6559519 EVAC OPTIMA 5, FLOOR MODEL, PRESTIGE SOFT CLOSE



* Prestige seat and cover fulfill ANSI Z124.5 - 1997 [Plastic Toilet (Water closet) Seats] requirements.

Materials

Bowl: White vitreous china
Seat and cover, *Prestige and Prestige Soft Close: UF-S
Pneumatic push button: Chrome plated plastic
Discharge valve: Plastic parts: PP, rubber parts: NR

Operating data

Water pressure: 3...10 bar
Operating vacuum: -0.3...-0.6 bar
Water consumption: 1.2 ±0.15 litres/flush (water pressure: 4 bar, vacuum: -0.4 bar)
Air consumption: 60 ±10 litres/flush (normal atmospheric air)

Connections

Water supply: 1/2" MPT, flexible hose
Discharge: Rubber elbow 90°, two hose clamps are included in the rubber elbow 90° to O.D. 48-52 mm pipe.

Shipping data

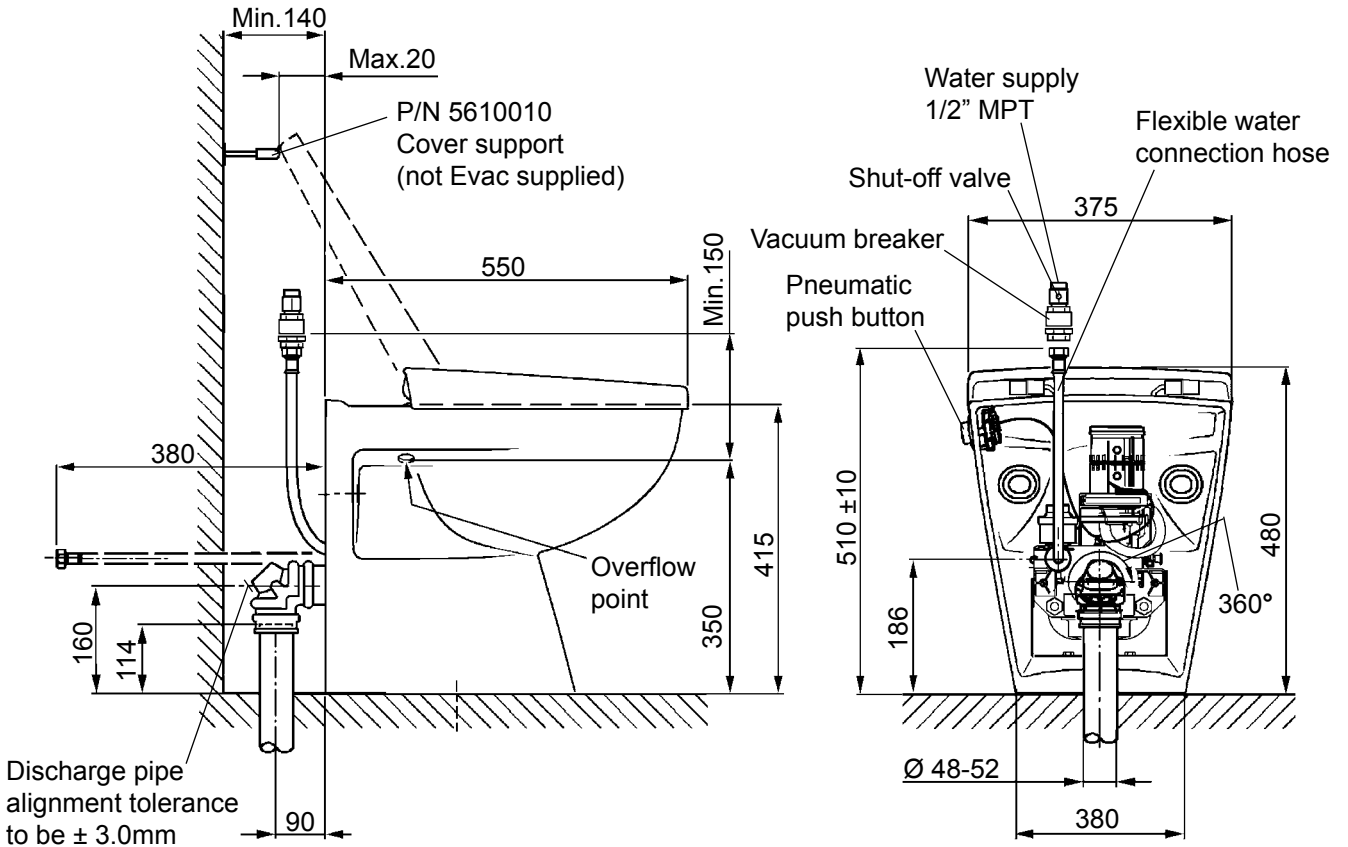
P/N 6559515 Optima 5, floor model, Prestige
Net weight: 20.1 ±0.5 kg
Shipping weight: 22.1 ±0.5 kg
Shipping volume: 0.168 m³

P/N 6559519 Optima 5, floor model, Prestige Soft Close
Net weight: 20.1 ±0.5 kg
Shipping weight: 22.1 ±0.5 kg
Shipping volume: 0.168 m³

VACUUM TOILET

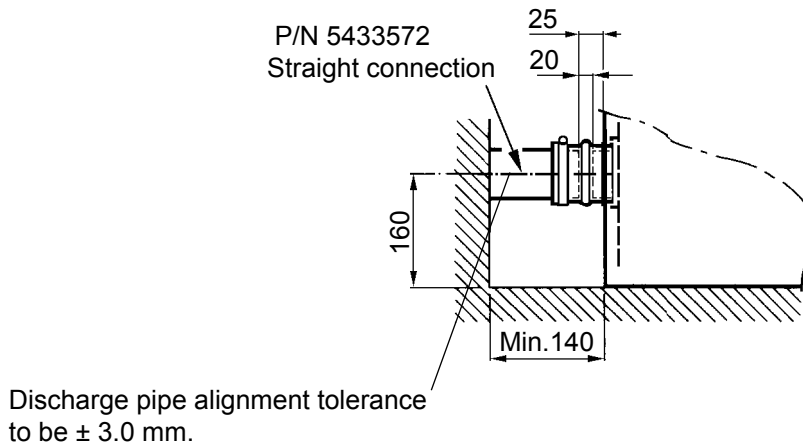
6559515 EVAC OPTIMA 5, FLOOR MODEL, PRESTIGE

6559519 EVAC OPTIMA 5, FLOOR MODEL, PRESTIGE SOFT CLOSE



* The vacuum breaker air inlet must be installed min.150 mm (6") above the overflow point of the toilet.

Optional discharge connection

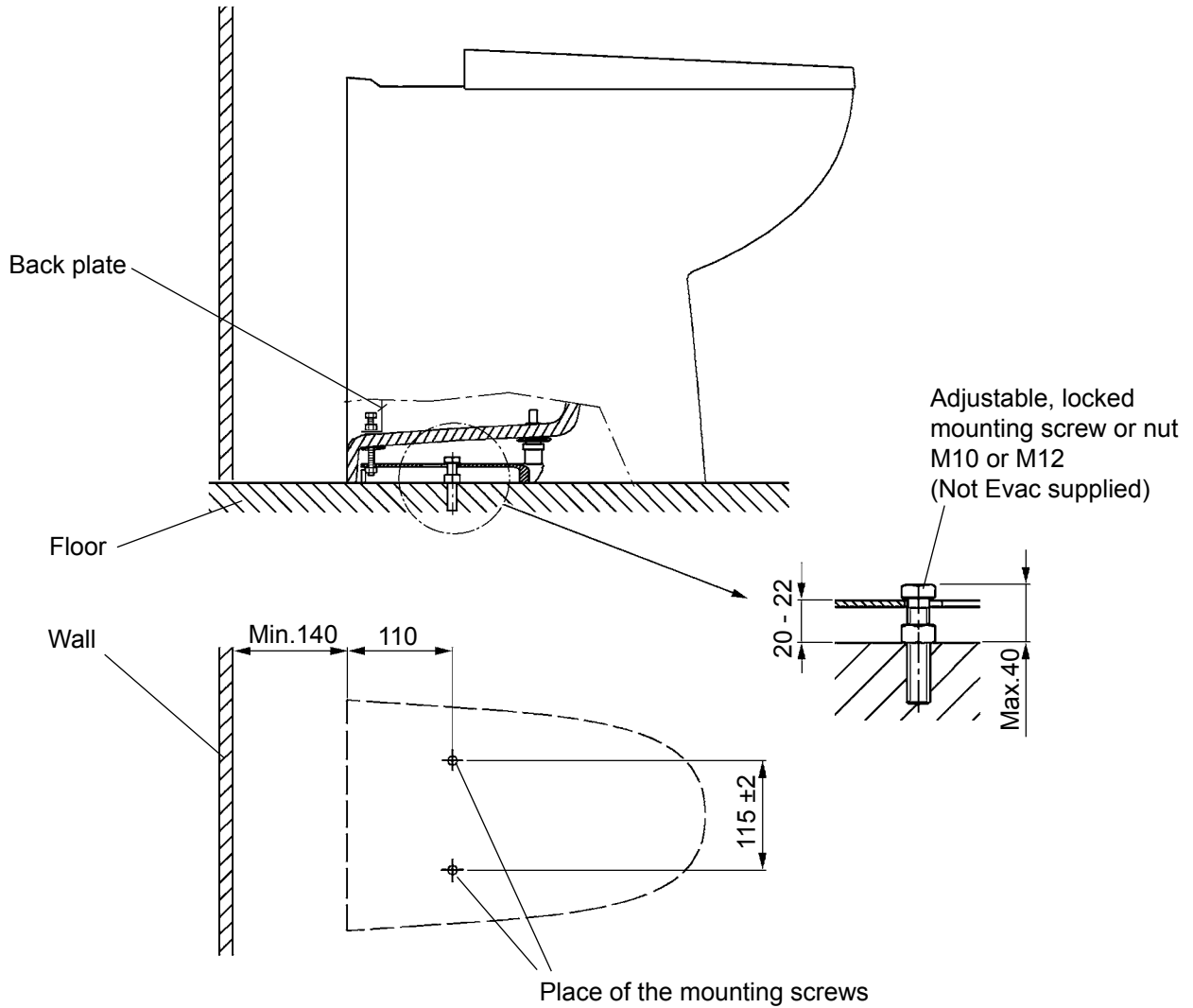


VACUUM TOILET

6559515 EVAC OPTIMA 5, FLOOR MODEL, PRESTIGE

6559519 EVAC OPTIMA 5, FLOOR MODEL, PRESTIGE SOFT CLOSE

Mounting screws on the floor



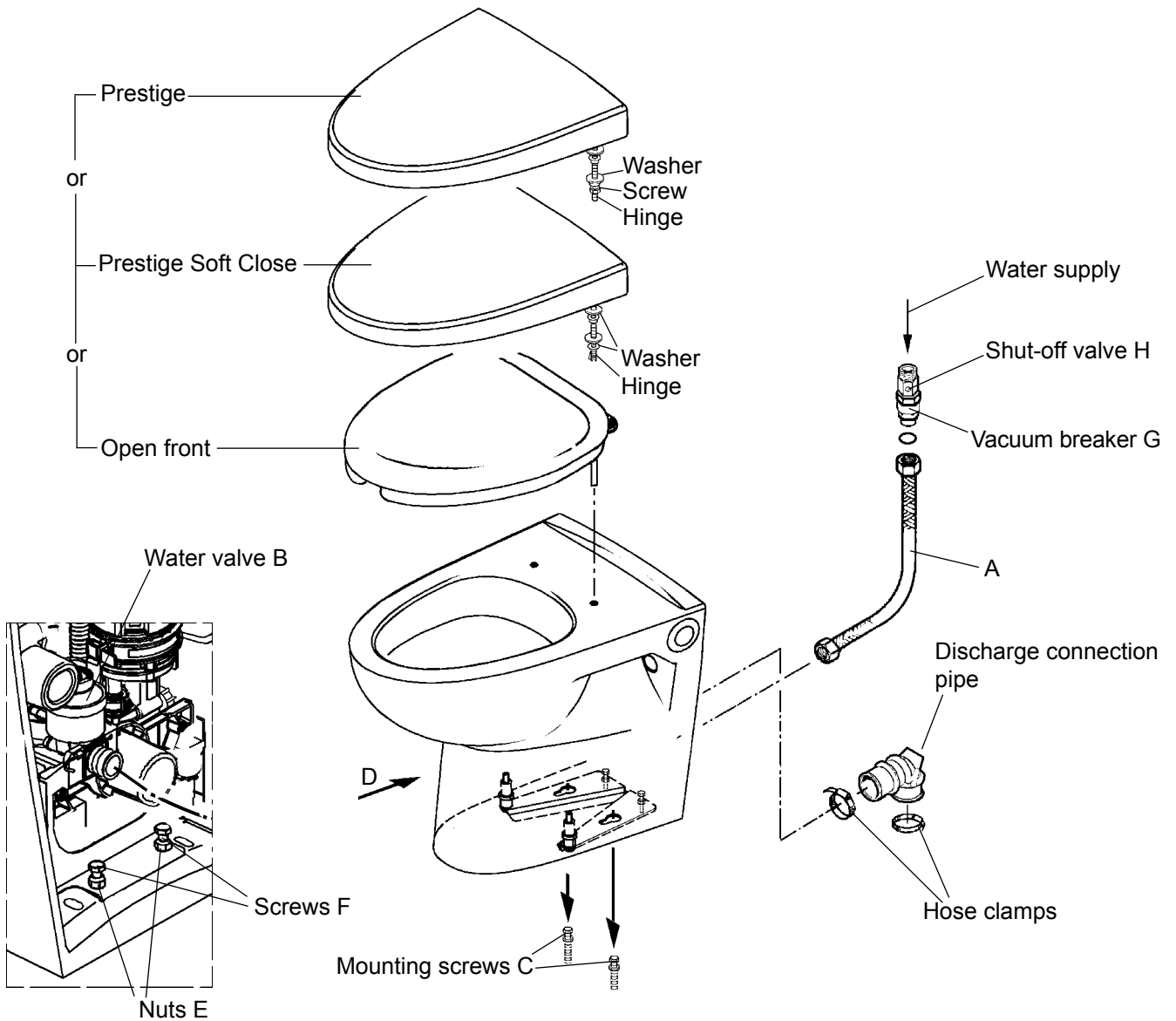
Installation kit P/N 6560988 consists of:

Rubber elbow	1 pc
Hose clamp	2 pcs

VACUUM TOILET

6559515 EVAC OPTIMA 5, FLOOR MODEL, PRESTIGE

6559519 EVAC OPTIMA 5, FLOOR MODEL, PRESTIGE SOFT CLOSE



- Connect the water connection hose (A) to the water valve (B).
- Connect the discharge connection pipe to the floor/wall pipe.
- Put the toilet bowl to the floor on the mounting screws (C). Push the toilet 20 mm to the arrow (D) direction. Lock the toilet by tightening the nuts (E) onto the place. ! NOTE: Do not turn the screws (F). Secure the discharge connection with the hose clamps.
- Connect the shut-off valve (H) to the water supply.
- Connect the water connection hose (A) to the vacuum breaker (G).
- Install the seat and the cover.